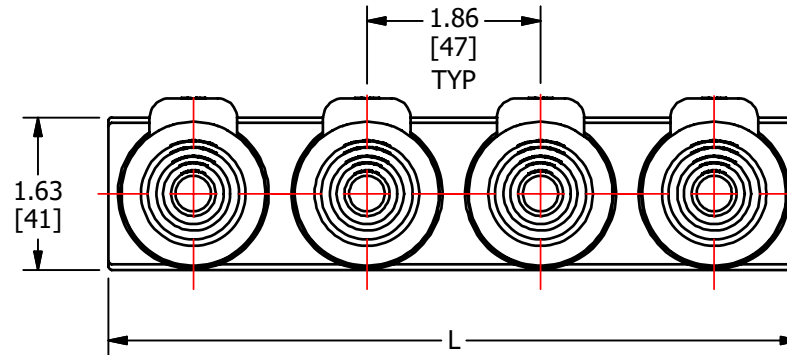
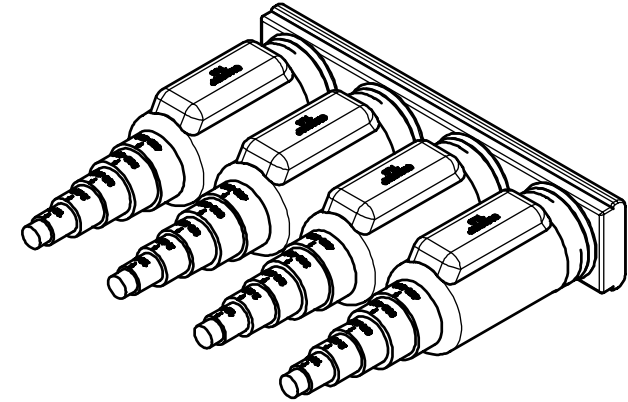
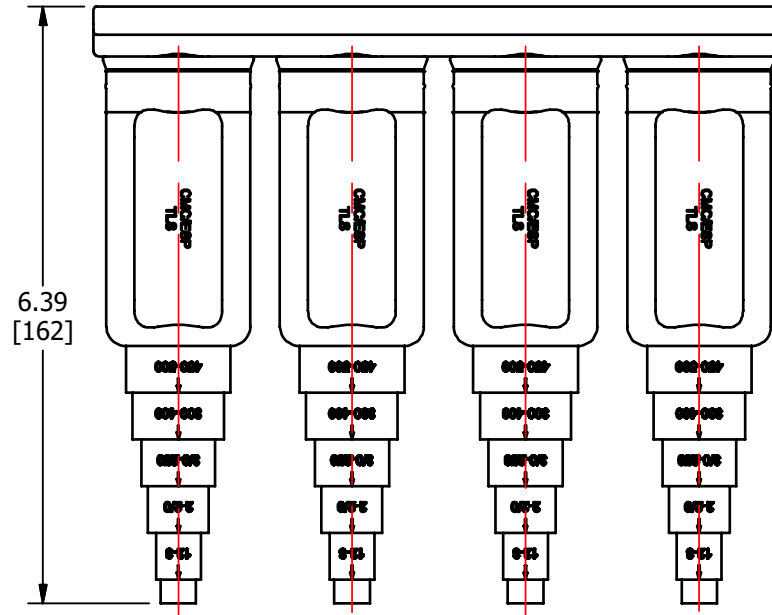
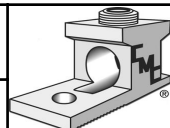


S.NO	CATALOG NUMBER	A
1	BRD2-350TSXB	3.67 [93]
2	BRD3-350TSXB	5.53 [140]
3	BRD4-350TSXB	7.39 [188]
4	BRD5-350TSXB	9.25 [235]
5	BRD6-350TSXB	11.11 [282]
6	BRD8-350TSXB	14.82 [377]



NOTES:

- CONNECTOR MATERIAL: ALUMINUM
- COVER MATERIAL: BLACK RUBBER
- CONDUCTOR RANGE: 350 KCMIL TO #12 (AL-CU)

					TO ORDER CMC PRODUCTS	DRAWN BY: TS 05-19-20	NAME OF PART: SUBMERSIBLE PEDESTAL CONNECTOR	CAT. NO.: SEE TABLE
					UNITED STATES 1-513-860-4455	CHECKED BY:	DWG NO: U55700865I-S (CHARTED)	A
					CANADA 1-800-361-6975	DRAWING NOT TO SCALE		SHEET NO: 1 OF 1
					MEXICO 011-52-722-265-4400			
A	NEW DRAWING CREATED		05-19-20	TS	FOR PRODUCT INFO www.cmcugs.com			HAMILTON, OHIO
REV.	DESCRIPTION	ECN	DATE	INIT.				

THIS INFORMATION IS PROPRIETARY TO CONNECTOR MFG. CO. AND IS NOT TO BE DISCLOSED OUTSIDE OF CONNECTOR MFG. CO. WITHOUT A CONFIDENTIALITY AGREEMENT



CONNECTOR MANUFACTURING CO.

HAMILTON, OHIO